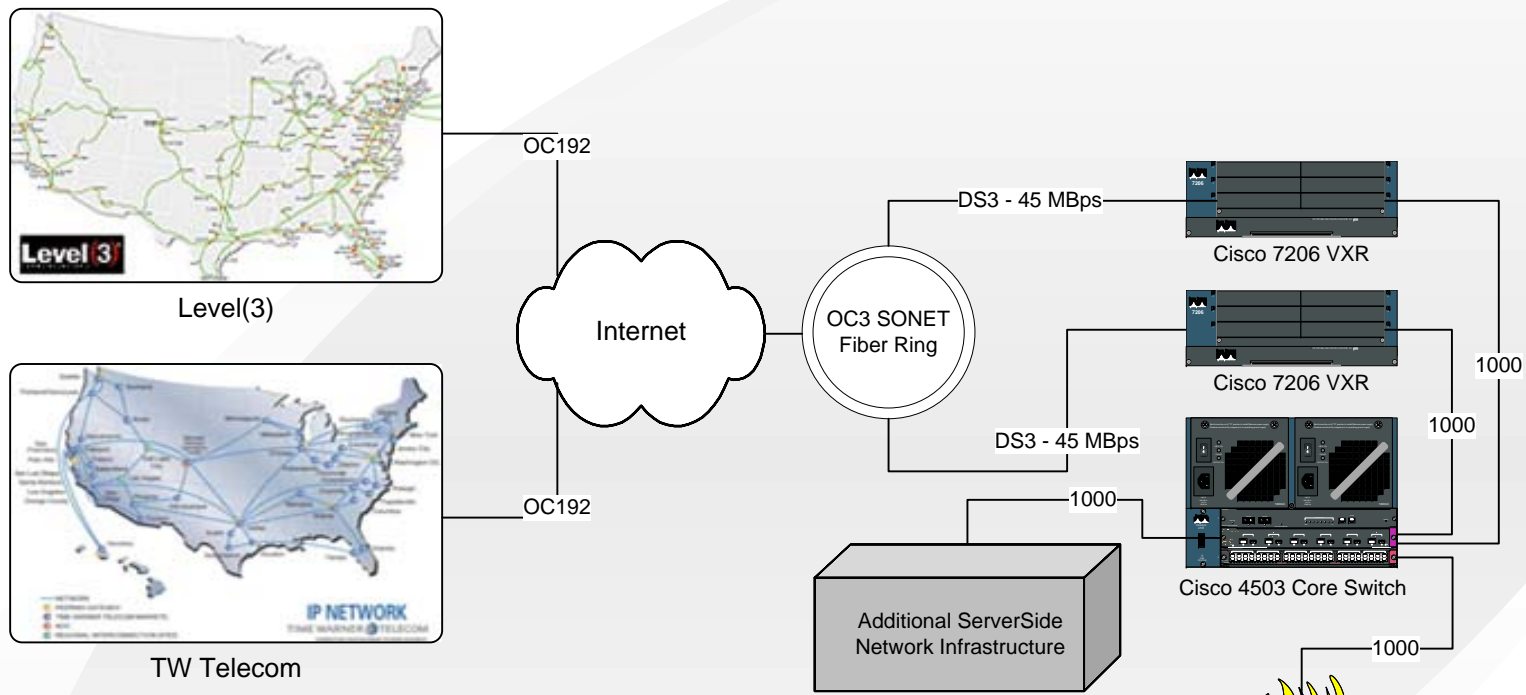


ServerSide, Inc. — Internet Connectivity and Network Infrastructure

Copyright © 1999-2008 Serverside, Inc. - All Rights Reserved.



Network Operations Center and Infrastructure Highlights

- Redundant National fiber optic Internet backbone connectivity
- Redundant OC3 SONET Ring connectivity
- Redundant Cisco 7206 VXR edge routers running GLBP and BGP4
- Redundant Firewall/IDS Systems
- 90 MBps total bandwidth (20% average utilization)
- Bandwidth used for web/application hosting services only
- Backups using 8TB direct attached DAS storage system with off-site DLT backups
- APC Netshelter racks with separate 3KVa UPS in each rack
- Climate controlled NOC -- 70 degrees and 50% relative humidity
- Natural gas standby power generator on site
- Physical alarm systems with cellular backup and video monitoring
- All systems monitored 7/24/365

